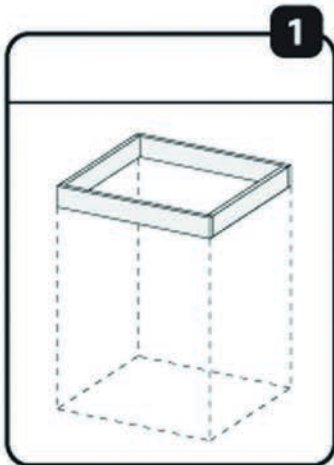
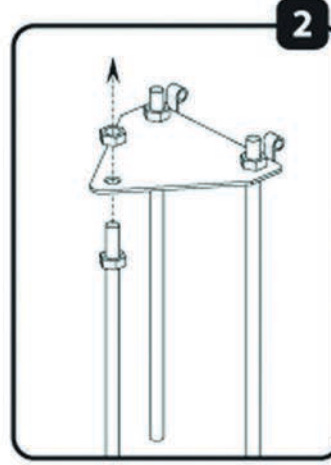




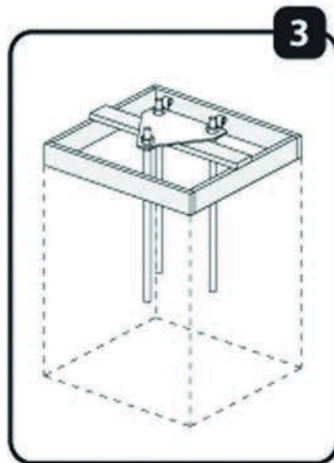
Mast foot set preparing



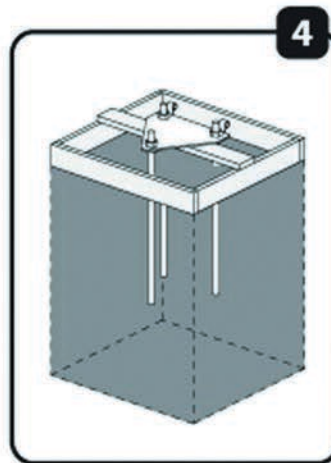
1 Dig a foundation hole around 40 cm in diameter and 1 m deep. In cases when sand walls of the hole do not maintain desired density and collapses, you need to secure them with templates. On the top of the hole create a template for surface form and precise leveling.



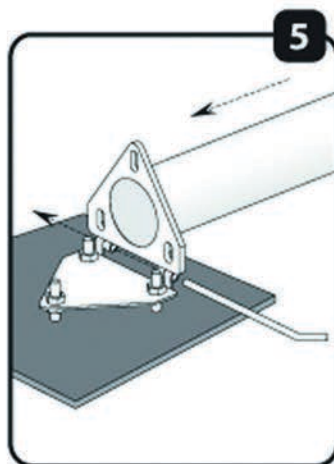
2 Prepare "Foot set" for putting in the hole: on the threaded rods (J) bolt the nuts (H), put on mast foot bottom plate (G), bolt the nuts (H) securing mast foot bottom plate. Nuts must be bolted so that you can see a 40 mm thread above them.



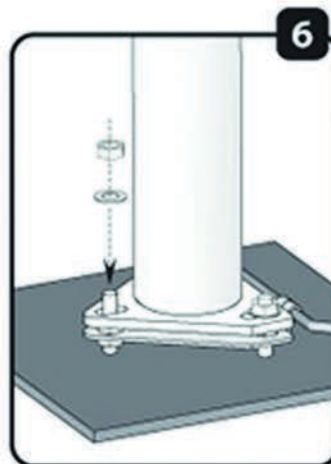
3 Put the prepared "Foot set" in a hole so that the longest part of the threaded rods would be in the hole, but the mast foot bottom plate with a free thread up would be above the hole level. Mast foot bottom plate above the hole must be leveled.



4 With a pre-prepared concrete mortar mix fill the hole and level the mast foot bottom plate for the second time.



5 After concrete is hardened, take the upper template off and prepare mast for lifting - take it to embedded mast foot bottom plate hinge mechanism. While flagpole is in vertical position, connect hinge mechanism, putting the axle through it and securing it with a splint.



6 Make sure concreted base is secure and concrete is hard. After that, lift the flagpole in vertical position, putting gaskets on the threads and bolting nuts. Make sure nuts are bolted thoroughly.