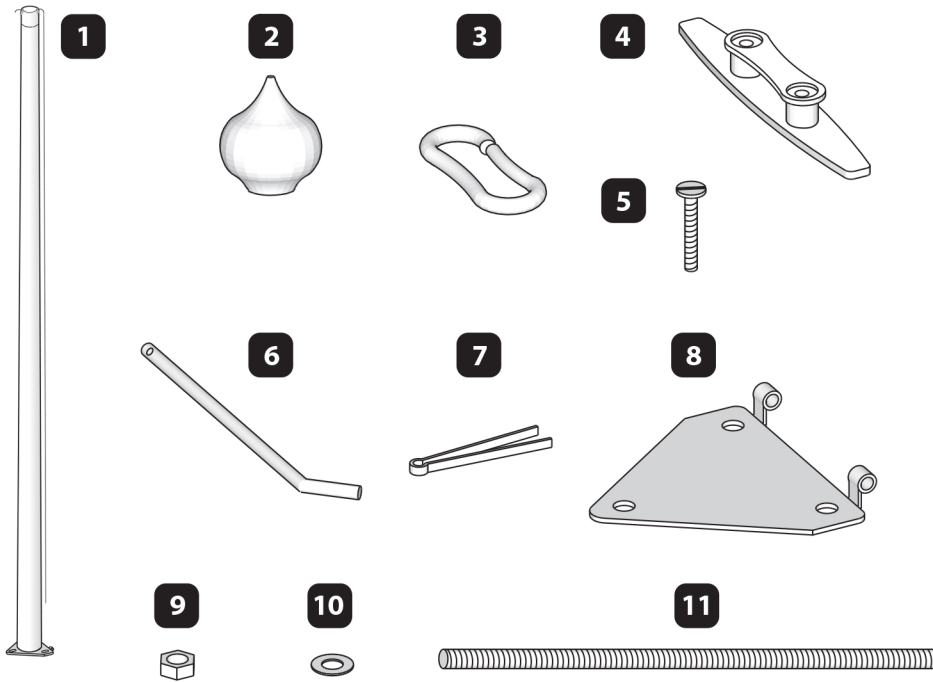




Boat and flagpole factory

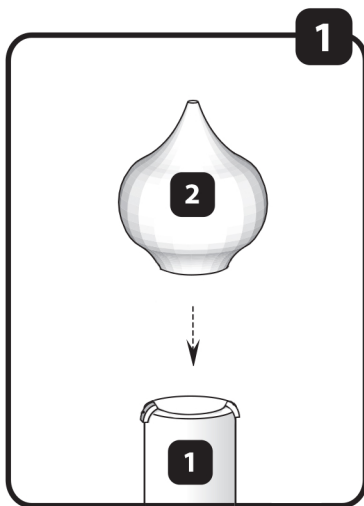


STANDARD system flagpole set

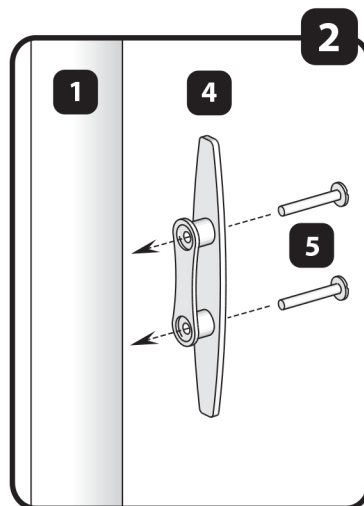


- 1** Fiberglass flagpole with galvanized steel upper part of the foot (1 pc.)
- 2** Mast nozzle (1 pc.)
- 3** Plastic loops (2 pcs.)
- 4** Plastic hook to secure rope (1 pc.)
- 5** Screws for the hook (2 pcs.)
- 6** Connecting axle of mast foot (1 pc.)
- 7** Connecting axle splint (1 pc.)
- 8** Mast foot bottom plate (1 pc.)
- 9** Nuts M18 (9 pcs.)
- 10** Gaskets M18 (3 pcs.)
- 11** Threaded rods M18 (3 pcs.)

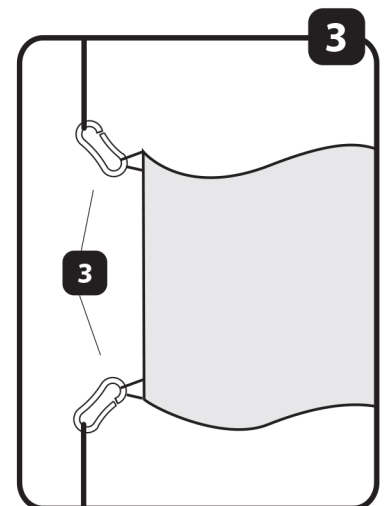
Preparing mast



Connect nozzle (2) with rotating part built in flagpole (1), bolting or fixing it on (depending on nozzle type).



With the help of screws (5) bolt handle (4) to secure rope to flagpole (1) in its intended place - bottom of the mast.



With plastic loops (3) connect flag (optional) with string and counterbalance.



Using hands, pull one of the ropes down to hoist the flag up to mast nozzle. After that, seize both ropes, tighten them and wrap around the plastic hook (4).